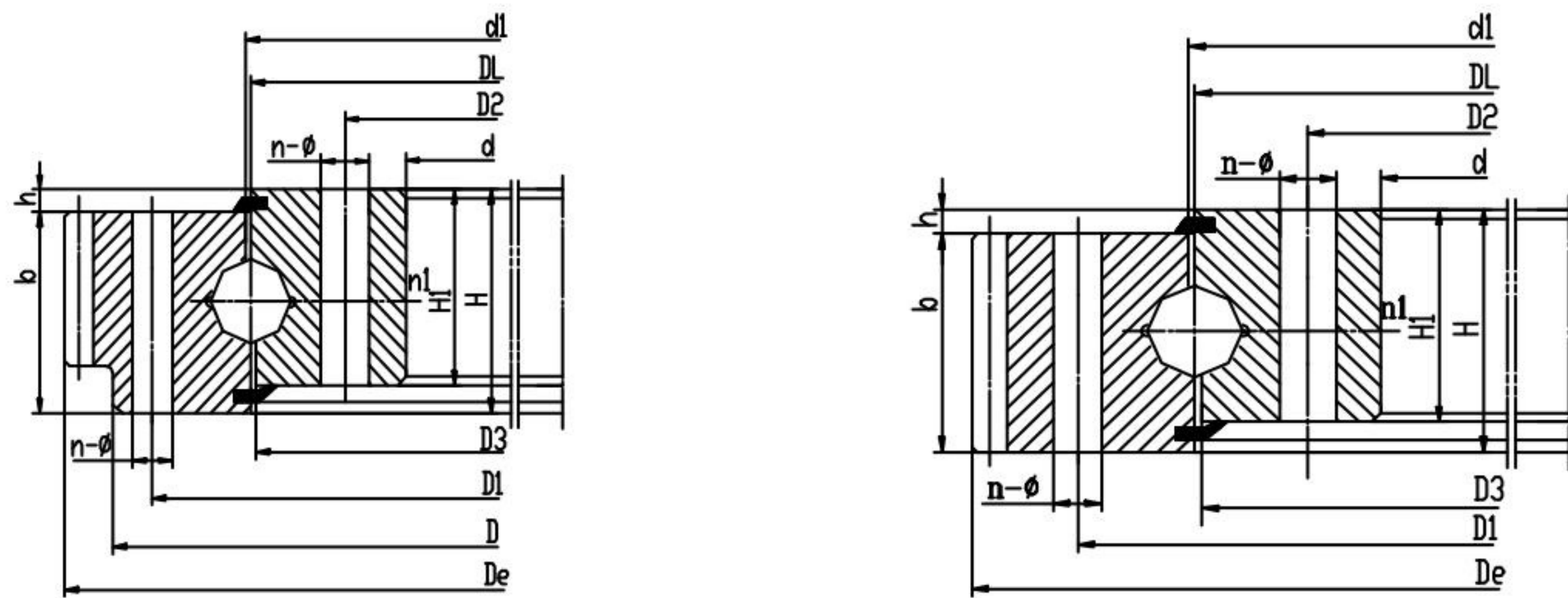


External-toothed Four Point Contact Slewing Bearings

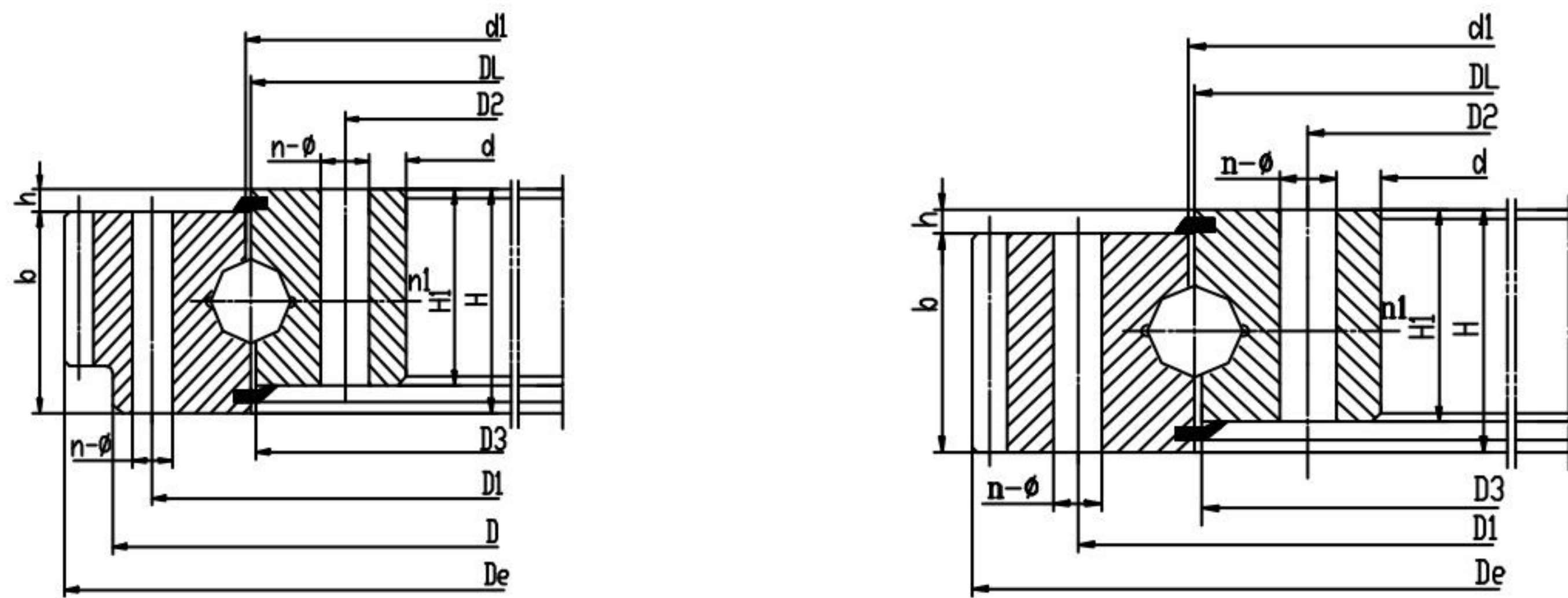


NOTE:

1. n1 is the number of lubricating oil holes, the customer can specify the location of oil holes according to the use situation.
2. n-φ can be changed into thread hole, thread diameter M, thread depth 2M.
3. The specifications in this sample are standard products, please contact SINOFOLIV for any other special requirements.

Bearing Part Number	Boundary Dimensions				Mounting Hole Dimensions				Configuration Dimensions						Gear Parameter				Weight kg
	De	D	d	H	D1	D2	n	φ	D3	d1	H1	h	n1	M	m	Z	b	x	
	mm				mm			mm											
HSW186	256	234	135	38	216	154	16	11	185	187	30	8	4	10	4	162	26	0	6.76
HSW400	528	493	307	70	457	343	24	18	396	400	60	10	2	16	6	86	50	0	53.8
HSW450	576	507	357	70	507	393	24	18	450	450	60	10	2	16	6	94	50	0	61.7
HSW500	625	600	398	80	566	434	20	18	499	501	70	10	4	16	5	123	60	0	85.4
HSW500M	628.8	602	398	80	566	434	20	18	501	498	70	10	4	16	6	102	60	+0.5	89
HSW548	679.386	655	425	80	620	475	12	18	548	548	71	9	3	16	4.5	147	56	0	110
HSW560	688.8	662	458	80	626	494	20	18	558.5	561.5	70	10	4	16	6	112	46	+0.5	95.2
HSW630	768	732	528	80	696	564	24	18	630	631	70	10	4	16	6	126	60	0	114
HSW644	744	744	572	56	680	600	24	14	642.5	645.5	44.5	11.5	4	12	6	122	44.5	0	50.1
HSW710	850.8	812	608	80	776	644	24	18	708	711	70	10	4	16	6	139	60	+0.5	69.1
HSW800	924		710	67	845	744	8	11	799	801	58	9	4	10	6	152	58	0	121
HSW800X1	966.4	922	678	100	878	722	30	22	801	798	90	10	6	20	8	118	80	+0.5	215
HSW862	1026.5	975	745	111	940	784	20	23	860	864	90	21	4	20	8	120	80	0	242
HSW900	1062.4	1022	778	100	978	822	30	22	901	898	90	10	6	20	8	130	80	-0.5	239
HSW944	1046.4	1046.4	873.5	56	985	900	44	13.5	941	947	45.5	10.5	4	12	8	129	45.5	0	77
HSW980	1110.4		887	63	1039	922	30	18	981	979	54	9	5	18	8	136	54	+0.5	124
HSW1000	1188	1000	878	100	1078	922	36	22	1000	1000	90	10	6	20	10	116	80	+0.5	288
HSW1000X1	1180	1120	876	90	1074	926	24	17.5	1000	1000	80	10	0	16	10	116	70	0	256
HSW1009	1180	1125	895	100	1085	935	10	22	1004.5	1008.5	85	15	4	20	10	116	75	0	262
HSW1052.5	1192.626	1160	930	80	1125	980	28	18	1052.5	1052.5	70	10	4	16	5	231	55	0	210
HSW1055	1200	1200	905	90	1116	945	30	22	1056.5	1053.5	71	19	6	20	10	118	71	0.0136	227
HSW1055X1	1200	1200	905	90	1116	945	30	22	1056.5	1053.5	71	19	6	20	10	118	71	0	227
HSW1094	1198.1	1198.1	1022	56	1135	1048	48	14	1092.5	1095.5	44.5	11.5	4	12	8	148	44.5	0	91.6
HSW1120	1278		1013	79	1183	1057	30	22	1121	1119	54	9	5	20	10	125	70	+0.5	182
HSW1120R	1300	1240	996	90	1194	1046	28	24	1121	1118	80	10	4	22	10	129	70	-0.5	272
HSW1120RM	1308	1240	996	90	1194	1046	28	24	1121	1118	80	10	4	22	12	108	70	-0.5	272
HSW1148	1314.1	1314.1	1040	80	1220	1080	30	17.5	1139	1157	70	10	0	16	10	125	70	0	225

External-toothed Four Point Contact Slewing Bearings



NOTE:

1. n1 is the number of lubricating oil holes, the customer can specify the location of oil holes according to the use situation.
2. n-φ can be changed into thread hole, thread diameter M, thread depth 2M.
3. The specifications in this sample are standard products, please contact SINOFOUV for any other special requirements.

Bearing Part Number	Boundary Dimensions				Mounting Hole Dimensions				Configuration Dimensions						Gear Parameter				Weight kg
	De	D	d	H	D1	D2	n	φ	D3	d1	H1	h	n1	M	m	Z	b	x	
	mm				mm			mm											
HSW1162	1320	1320	1045	93	1236	1084	36	21	1166.5	1158.5	77	16	4	20	10	130	77	0	276
HSW1180	1338	1338	1068	79	1248	1112	36	22	1181	1178	63	9	6	22	10	131	70	+0.5	227
HSW1220	1435.9	1365	1075	120	1310	1130	36	24	1221	1218	105	15	6	22	12	116	90	+1	488
HSW1250	1408		1143	79	1313	1187	36	22	1251	1249	54	9	6	22	10	138	70	+0.5	221
HSW1250R	1430	1370	1126	90	1324	1176	32	24	1251	1248	80	10	4	24	10	142	70	-0.5	302
HSW1250RM	1440	1370	1126	90	1324	1176	32	24	1251	1248	80	10	4	24	12	119	70	-0.5	309
HSW1278	1428.266	1391	1150	80	1356	1200	32	18	1278	1278	70	8	4	16	6	228	55	0	261
HSW1320	1497.6		1208	89	1388	1252	42	22	1321	1318	63	9	6	20	12	122	80	+0.5	298
HSW1358	1510	1510	1215	90	1426	1255	24	22	1354	1362	71	19	6	20	10	149	71	0	256
HSW1400	1584	1520	1276	90	1474	1326	36	24	1401	1398	80	10	6	22	12	131	70	-0.5	337
HSW1400M	1596	1520	1276	90	1474	1326	36	24	1401	1398	80	10	6	22	14	113	70	-0.5	347
HSW1400R	1608	1540	1258	102	1486	1314	36	26	1401	1398	90	12	6	24	12	133	80	-0.5	448
HSW1452	1600	1600	1305	90	1516	1345	48	22	1455	1454	71	19	6	20	10	158	71	0	253
HSW1452X1	1600	1600	1305	90	1516	1345	48	22	1456.5	1453.5	71	19	6	20	10	158	71	0	262
HSW1454	1600	1550	1305	102	1505	1345	24	22	1450	1458	78	17	3	20	10	158	65	0	282
HSW1500	1677.6		1388	89	1568	1432	48	22	1501	1498	63	9	6	20	12	137	80	+0.5	338
HSW1520	1690	1645	1390	91	1600	1440	22	20	1500	1521.5	91	14	4	18	5	336	47	0	347
HSW1540	1791.1	1720	1360	140	1660	1420	42	26	1540	1540	122	18	6	24	14	124	110	+1.15	926
HSW1600X	1803.2		1466	94	1682	1518	40	26	1601	1598	81	9	8	24	14	126	85	+0.5	479
HSW1600	1812	1740	1458	102	1686	1514	40	26	1601	1598	90	12	5	24	12	150	80	-0.5	528
HSW1600M	1820	1740	1458	102	1686	1514	40	26	1601	1598	90	12	5	24	14	129	80	-0.5	534
HSW1600R	1817.2	1740	1460	110	1687	1513	45	26	1602	1598	100	10	5	24	14	127	90	+0.5	584
HSW1618	1845	1845	1506	95	1728	1550	40	22	1617	1620	86	9	10	20	14	129	67	+0.5	425
HSW1800	1934.47	1902	1680	105	1848	1736	24	18	1801	1803	90	15	6	16	6	308	90	0	450
HSW1800M	2032	1940	1658	102	1886	1714	44	26	1802	1798	90	12	4	24	16	126	80	0.5	607
HSW1800R	2013.2	1940	1660	110	1887	1713	45	26	1802	1798	100	10	5	24	14	141	90	+0.5	652
HSW1824	2013.2	2013.2	1705	122	1896	1749	48	22	1824	1821	80	10	24	20	14	141	112	0.5	566

